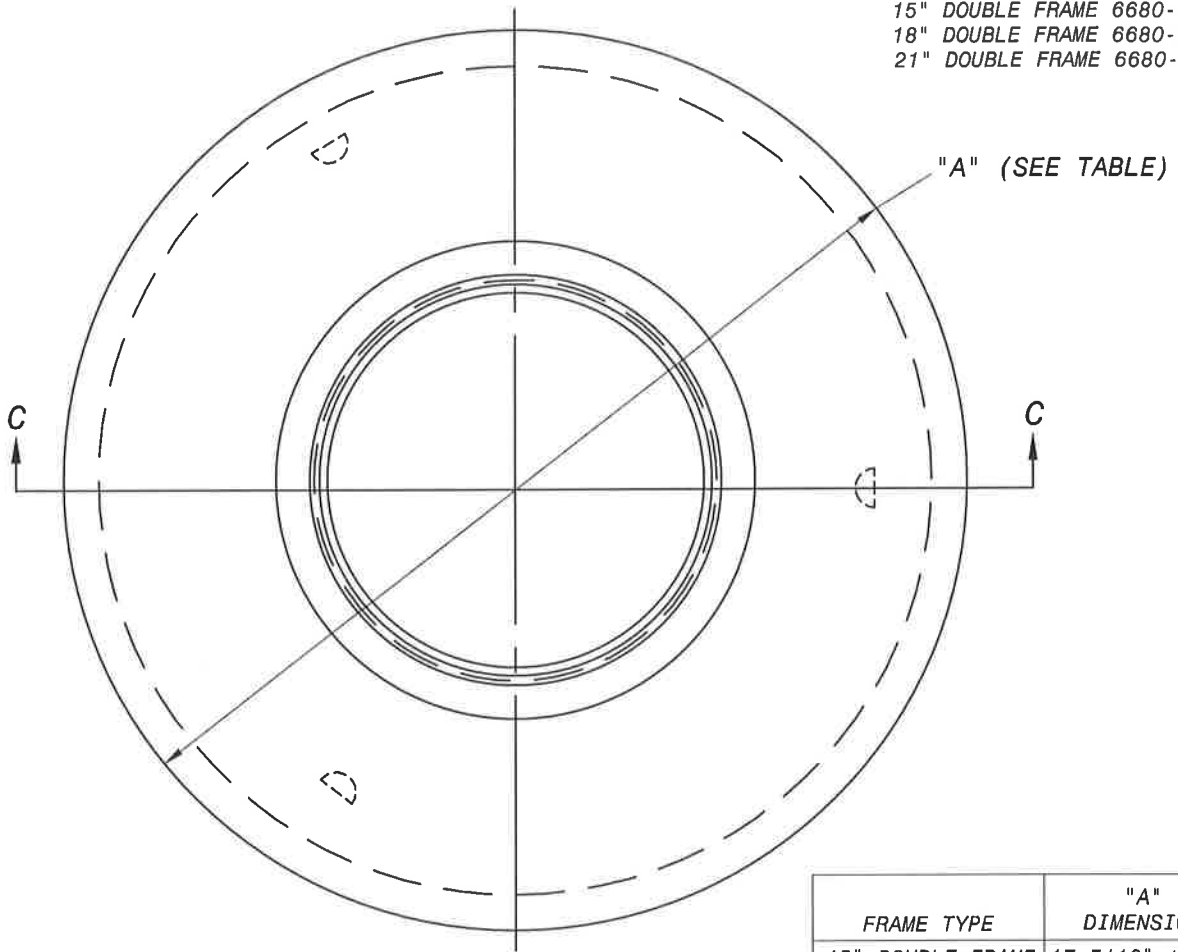
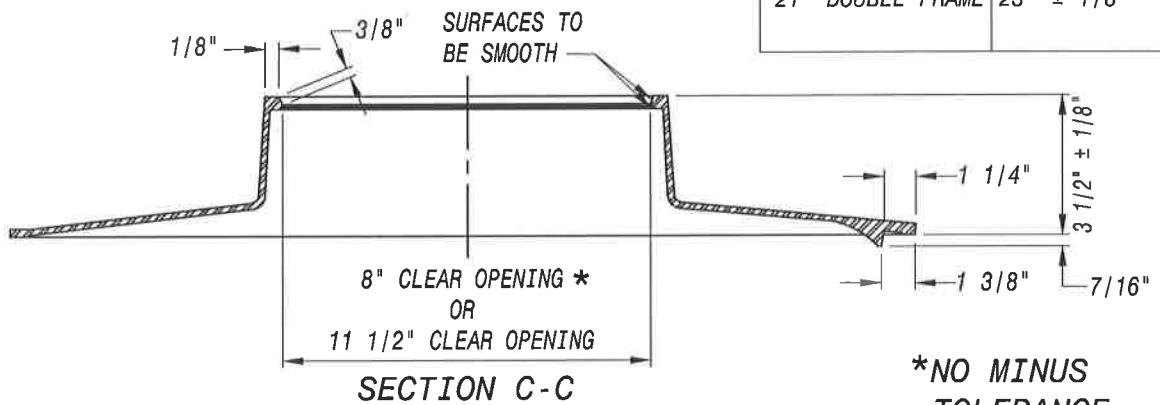


APPLICABLE STOCK NOS.
 15" DOUBLE FRAME 6680-9040-0
 18" DOUBLE FRAME 6680-9041-8
 21" DOUBLE FRAME 6680-9042-6



FRAME TYPE	"A" DIMENSION
15" DOUBLE FRAME	17 5/16" ± 1/8
18" DOUBLE FRAME	20" ± 1/8
21" DOUBLE FRAME	23" ± 1/8



NOTE:

1. ALL GRAY IRON CASTINGS TO BE ASTM A-48 CLASS 25 MIN.
2. SEE P&M/4.1 FOR WEIGHTS
3. TOLERANCE OF +/- 1/16" UNLESS NOTED OTHERWISE
4. CASTING SHALL BE CLEANED BY AN APPROVED PROCESS AND COATED WITH AN APPROVED ASPHALTUM OR COAL TAR PAINT.

WASHINGTON SUBURBAN SANITARY COMMISSION	REVISIONS:	PROCUREMENT AND MANUFACTURING DETAIL	P&M 4.0
	APPROVED: <i>[Signature]</i> 3/17/16 MATERIAL AND SERVICES GROUP LEADER		