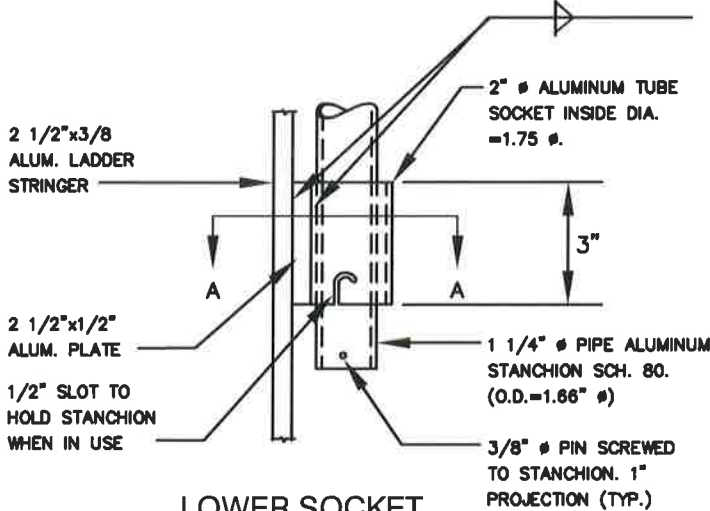
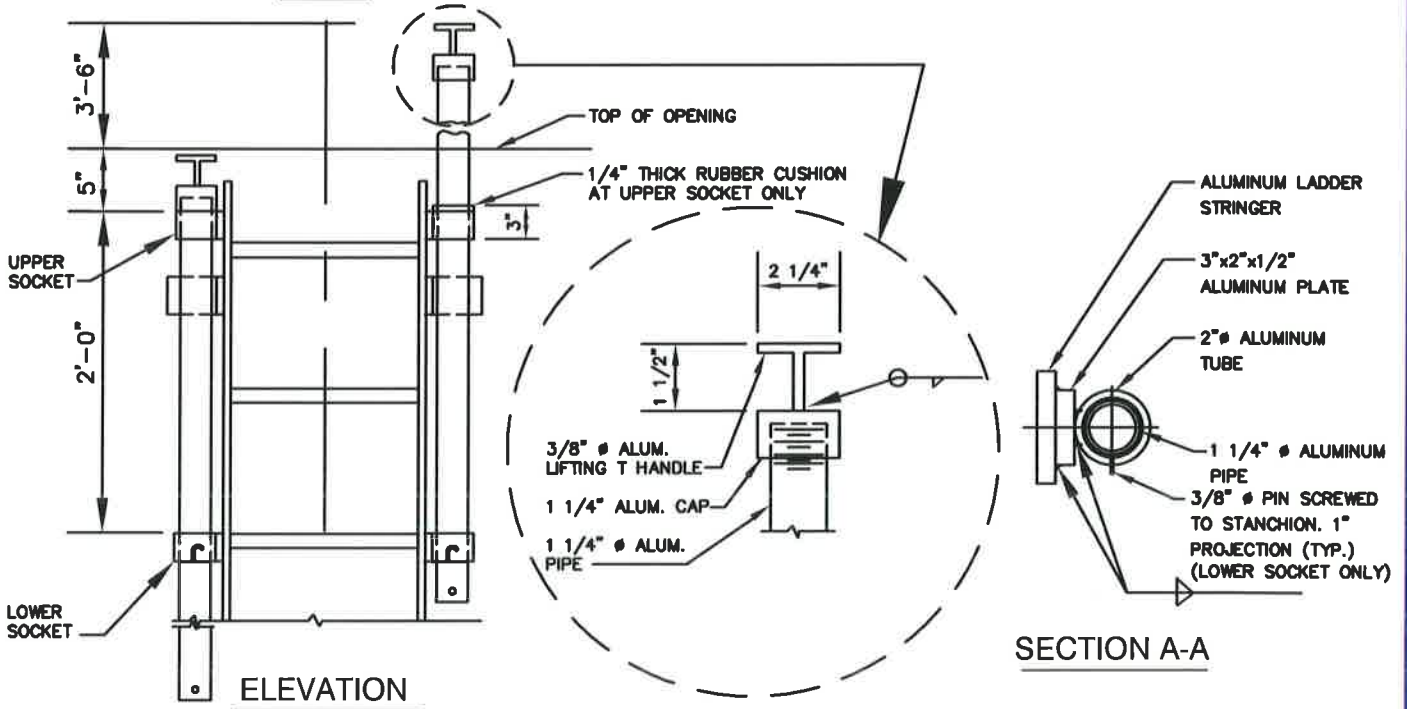
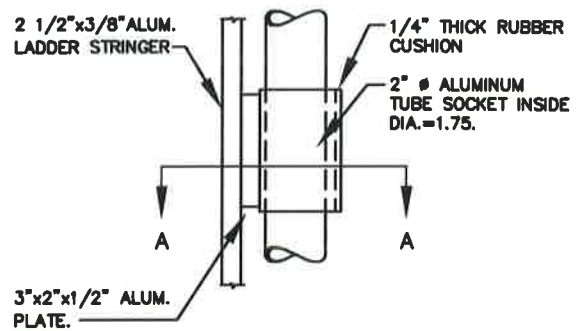


NOTE:

1. ALL ALUMINUM SHALL BE 6061-T6 ALLOY.
2. PREFABRICATED CASTING SOCKET MAY BE USED.
3. LOCATION OF TOP SOCKET MAY BE LOWERED IF LIFTING T OBSTRUCTS COVER OF ACCESS WHEN CLOSED.
4. SEE DETAIL M/16.0 FOR LADDER DETAIL.
5. "T" HANDLE SHALL BE ORIENTED PERPENDICULAR TO C OF RUNG WHEN FULLY EXTENDED AND LOCKED IN PLACE.
6. ALL WELDS SHALL BE MIN. 3/16" WIDE.



LOWER SOCKET
SEE NOTE 2.



UPPER SOCKET
SEE NOTE 2.

WASHINGTON
SUBURBAN
SANITARY
COMMISSION

APPROVED: *8/15/16*
[Signature]
Chief Engineer

STANDARD DETAIL
LADDER EXTENSION

M
16.1