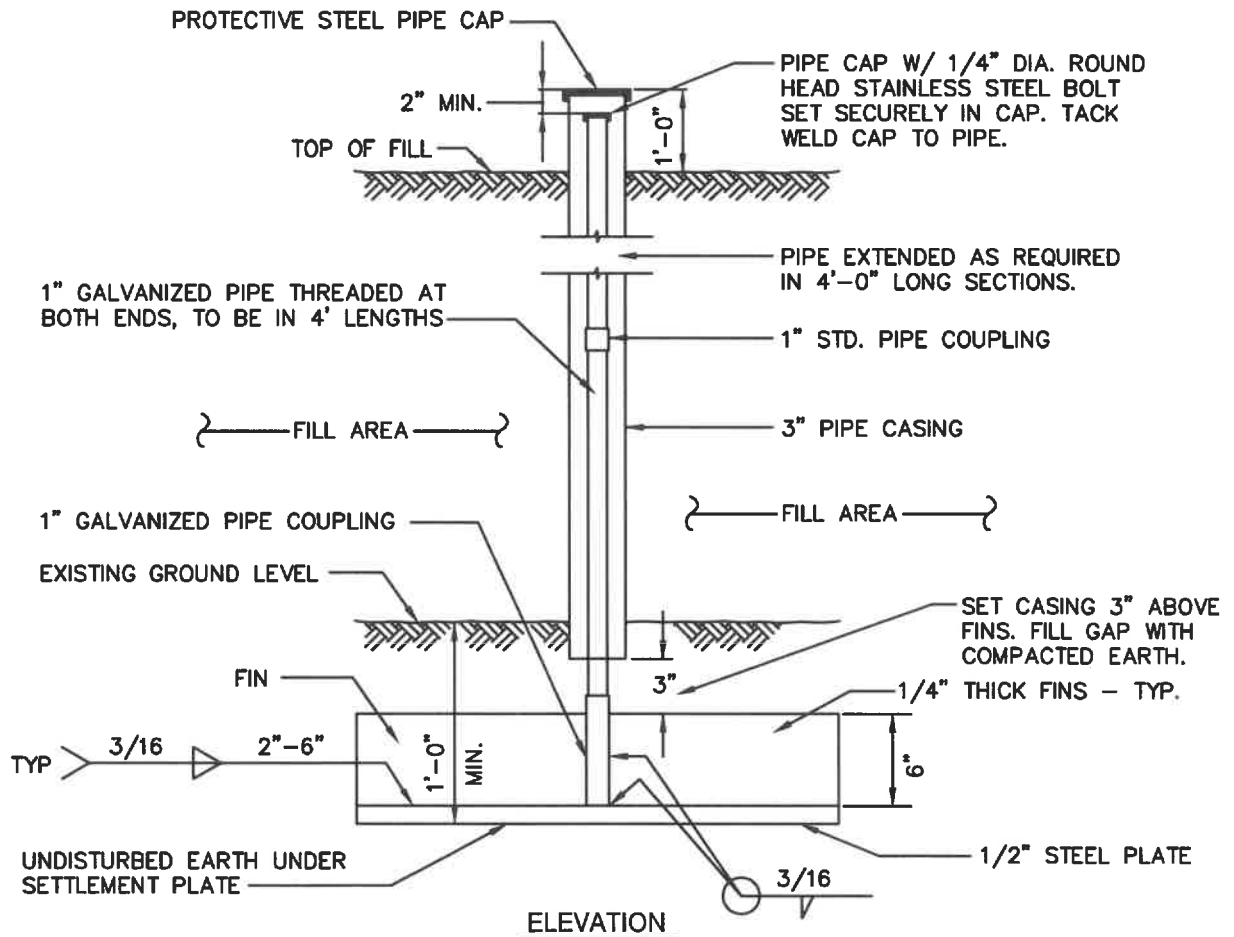


PLAN



ELEVATION

WASHINGTON
SUBURBAN
SANITARY
COMMISSION

APPROVED: 6/17/21

M. J. Harner
Chief Engineer

STANDARD DETAIL

SETTLEMENT PLATE
DETAIL FOR FILL

M
7.1