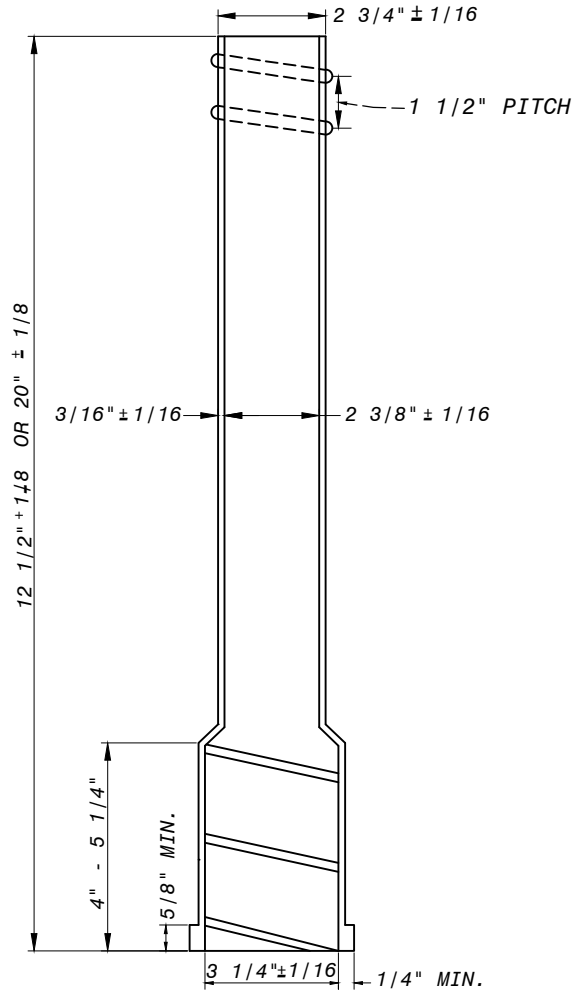


APPLICABLE STOCK NOS.  
 4880-9004-4  
 4880-9005-1



WEIGHT

**CURB BOX EXTENSION**

EXTENSION- 8 1/2 LBS. MIN.  
 ALL SECTIONS SHOWN TO BE GRAY  
 IRON CASTINGS, ASTM. A-48  
 CLASS NO.25 MIN.

CASTING SHALL BE CLEANED BY AN  
 APPROVED PROCESS AND COATED  
 WITH AN APPROVED SOLVENT-BASED  
 ASPHALT PAINT.

WASHINGTON  
 SUBURBAN  
 SANITARY  
 COMMISSION

REVISIONS: May 3, 2021 | 9:23 PM EDT  
 APPROVED: \_\_\_\_\_

DocuSigned by:  
*Jaime Garcia*

87DBE23469C84BD  
 MATERIALS MANAGEMENT BY SYSTEM MANAGER

PROCUREMENT AND MANUFACTURING DETAIL

**CURB BOX EXTENSION**

**P&M**  
**2.3**