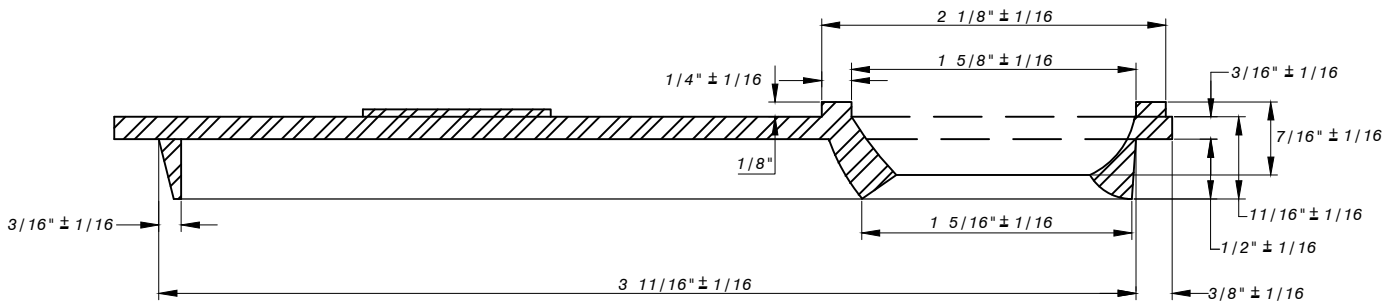


WEIGHT
COVER - 1.1 LBS. MIN.

CURB BOX COVER



CASTING TO BE CLEANED BY AN APPROVED PROCESS AND COATED WITH AN APPROVED SOLVENT-BASED ASPHALT PAINT.

SECTION B-B

ALL SECTIONS SHOWN TO BE GRAY IRON CASTINGS, ASTM. A-48 CLASS NO. 25 MIN.

WASHINGTON
SUBURBAN
SANITARY
COMMISSION

REVISIONS: May 3, 2021 | 9:23 PM EDT
APPROVED: _____

DocuSigned by:
Jaime Garcia

B7DFE23469C84BD
MATERIALS MANAGEMENT DIVISION MANAGER

PROCUREMENT AND MANUFACTURING DETAIL

CURB BOX COVER

P&M
2.2