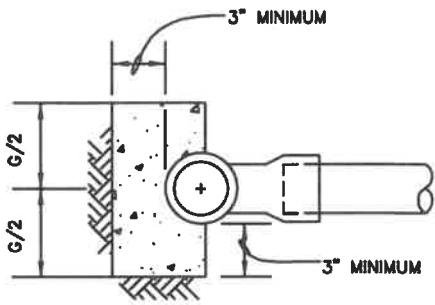
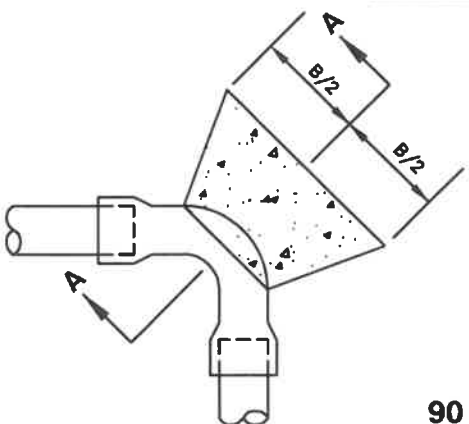


**PLAN**

**TEES, INCLUDING PRESSURE SHC'S**

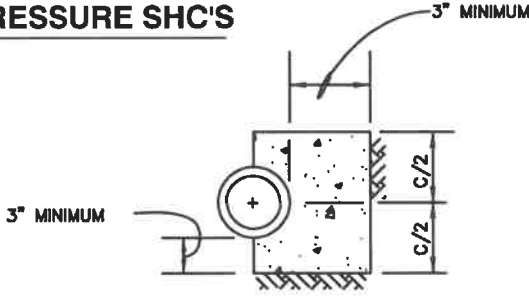


**SECTION A-A**

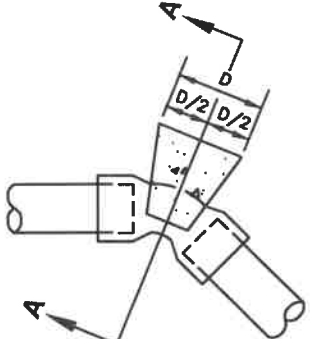


**PLAN**

**90 ° HORIZONTAL BENDS**

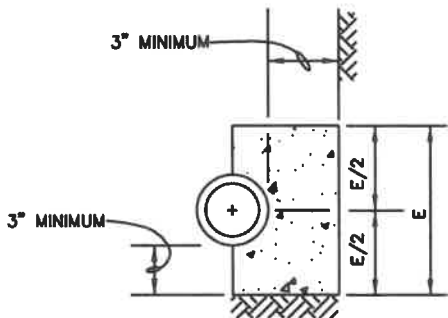


**SECTION A-A**



**PLAN**

**11-1/4°, 22-1/2°, 45° HORIZONTAL AND LOWER VERTICAL BENDS**



**SECTION A-A**

PIPE SIZE	B	C	D	E	F	G
1-1/4" AND 1-1/2"	8"	8"	5"	5"	6"	6"
2"	10"	10"	7"	7"	10"	10"
2-1/2"	10"	10"	7"	7"	10"	10"
3"	12"	12"	9"	9"	12"	12"
4"	26"	12"	12"	12"	16"	12"

**NOTES:**

1.  $f_c=3000$  psi @ 28 DAYS.
2. CARRY ALL BEARING SURFACES TO UNDISTURBED GROUND OR FIRM SUBGRADE.
3. BUTTRESS SIZED FOR 150 psi.
4. SEE DETAIL PS/1.42 FOR UPPER VERTICAL BENDS.
5. DO NOT ENCASE JOINTS.

WASHINGTON  
SUBURBAN  
SANITARY  
COMMISSION

APPROVED: 2-26-21  
*Mitch Harmon*  
Chief Engineer

STANDARD DETAIL  
**PRESSURE SEWER  
BLOCKING DETAILS**

**PS**  
**1.4**