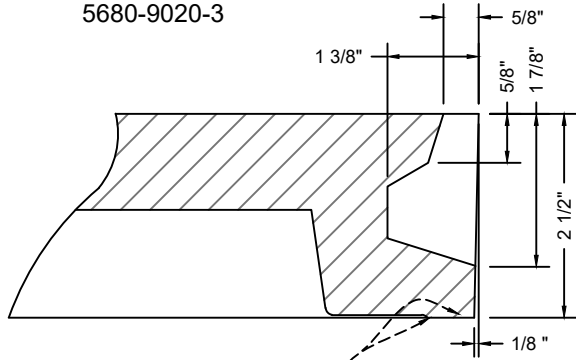


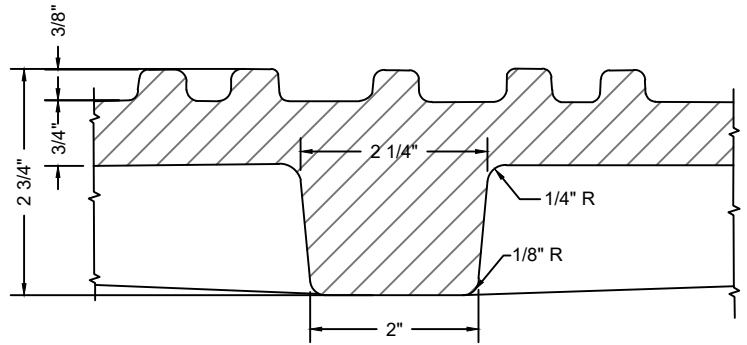
APPLICABLE STOCK NOS.

- 5680-9009-6
- 5680-9010-4
- 5680-9020-3

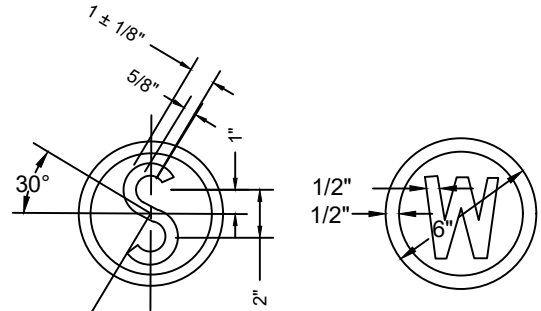


MACHINE ALL BEARING SURFACES

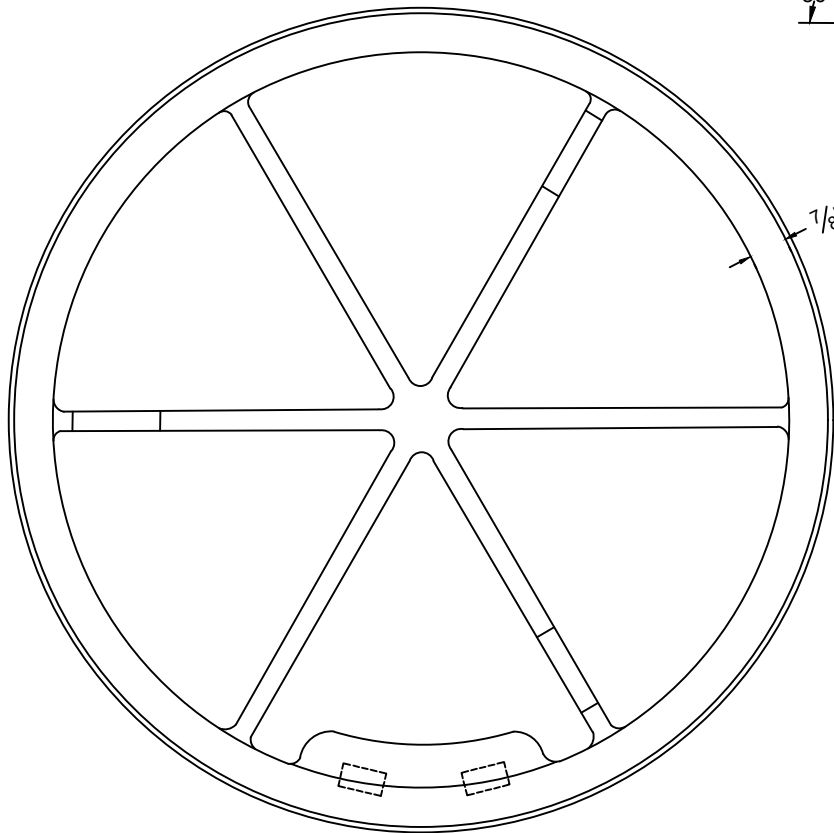
SECTION B-B



SECTION C-C



INSIGNIA DETAILS



BOTTOM VIEW OF COVER

SEE DETAIL P&M 10.5a FOR CONTINUATION

MATERIAL SPECIFICATION:  
GRAY IRON ASTM A48 CL35B

CASTINGS SHALL CONFORM TO AND BE MANUFACTURED IN ACCORDANCE WITH THE REQUIREMENTS OF AASHTO STD M306, LATEST REVISION

WASHINGTON SUBURBAN SANITARY COMMISSION	REVISIONS: <u>May 4, 2021   12:46 PM</u> EDT	PROCUREMENT AND MANUFACTURING DETAIL	P&M <u>10.5b</u>
	APPROVED: _____ DocuSigned by: <i>Jaime Garcia</i> B7DBE23469C84BD... MATERIALS MANAGEMENT DIVISION MANAGER	NON-LOCKING STANDARD 22" NON-WATERTIGHT MANHOLE FRAME & COVER	