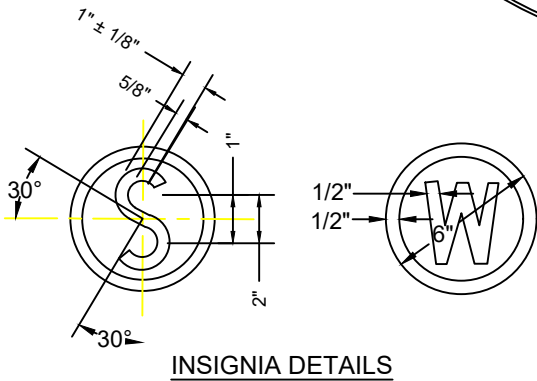


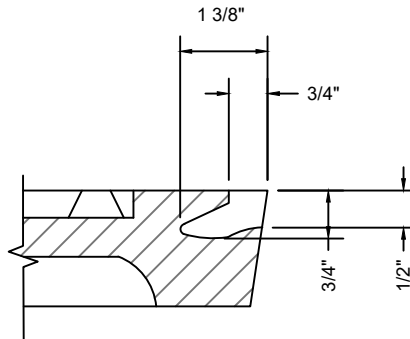
**BOTTOM VIEW**

APPROXIMATE WEIGHT OF FRAME = 130 LBS

APPROXIMATE WEIGHT OF NON-TRAFFIC COVER = 65 LBS



**INSIGNIA DETAILS**



**PICKHOLE DETAIL**

MATERIAL SPECIFICATION:  
GRAY IRON ASTM A48 CL35B

FRAME SHALL CONFORM TO AND BE MANUFACTURED IN ACCORDANCE WITH THE REQUIREMENTS OF AASHTO STD M306, LATEST REVISION

SEE DETAIL P&M 10.4a FOR CONTINUATION

APPLICABLE STOCK NOS.

- 5680-9011-2
- 5680-9012-0
- 5680-9021-1
- \*5680-9013-8

\* TRAFFIC RATED WATER COVER (SEE P&M/10.4B)

<p>WASHINGTON SUBURBAN SANITARY COMMISSION</p>	<p>REVISIONS: <u>May 4, 2021   12:46 PM</u> EDT</p> <p>APPROVED: _____</p> <p style="text-align: center;">DocuSigned by: <i>Jaime Garcia</i> B7DBE23469C84BD... MATERIALS MANAGEMENT DIVISION MANAGER</p>	<p>PROCUREMENT AND MANUFACTURING DETAIL</p> <p><b>LIGHTWEIGHT TRAFFIC RATED MANHOLE FRAME &amp; COVER</b></p>	<p><b>P&amp;M 10.4a1</b></p>
--	---	---	----------------------------------