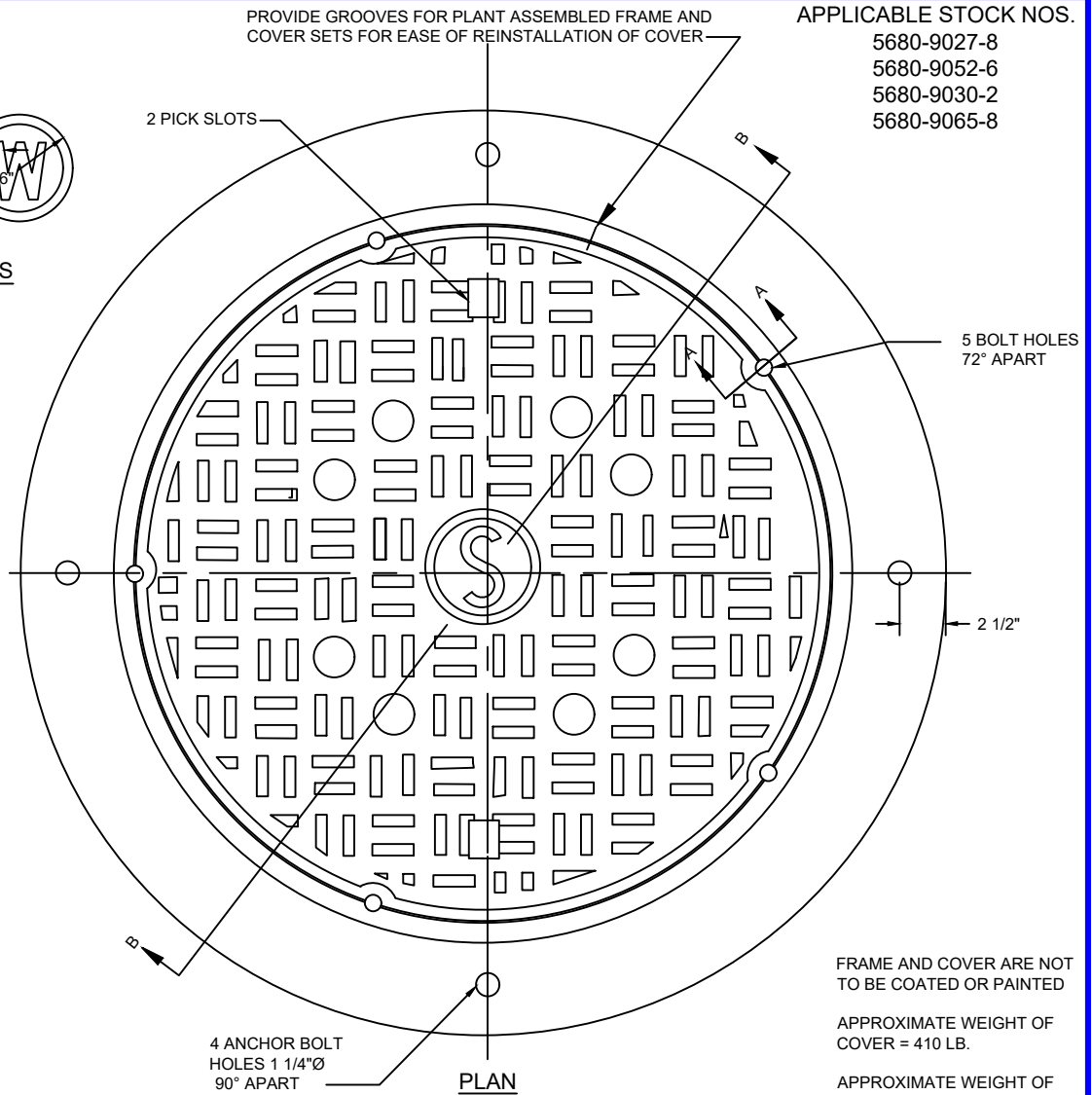
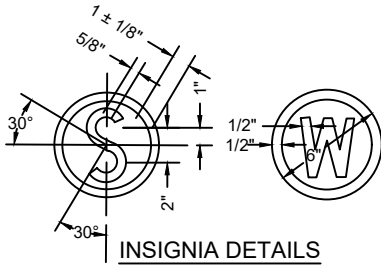


APPLICABLE STOCK NOS.

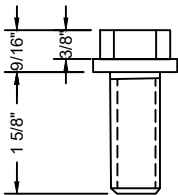
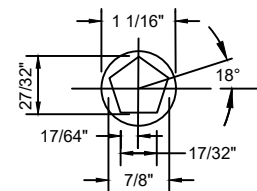
- 5680-9027-8
- 5680-9052-6
- 5680-9030-2
- 5680-9065-8



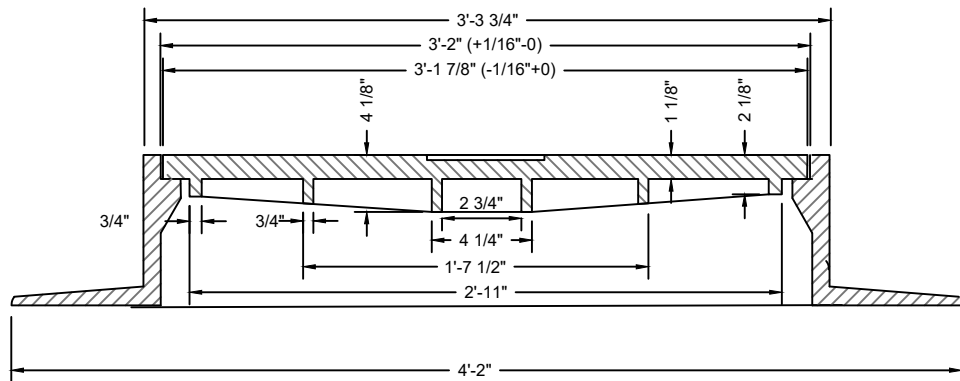
FRAME AND COVER ARE NOT TO BE COATED OR PAINTED

APPROXIMATE WEIGHT OF COVER = 410 LB.

APPROXIMATE WEIGHT OF FRAME = 420 LB.



STAINLESS STEEL LOCK BOLT
 AISI TYPE 304
 STAINLESS STEEL



MATERIAL SPECIFICATION:
 GRAY IRON ASTM A48 CL35B

CASTINGS SHALL CONFORM TO AND BE MANUFACTURED IN ACCORDANCE WITH THE REQUIREMENTS OF AASHTO STD M306, LATEST REVISION

SEE DETAIL P&M 10.2a FOR CONTINUATION

REFERENCE WSSC DWG NO. 721472Y, LATEST REVISION 1-29-81

WASHINGTON SUBURBAN SANITARY COMMISSION	REVISIONS: APPROVED: May 4, 2021 12:46 PM EDT	PROCUREMENT AND MANUFACTURING DETAIL LOCKING TYPE-WATERTIGHT 36" MANHOLE FRAME & COVER	P&M 10.2b
	DocuSigned by: <i>Jaime Garcia</i> MATERIALS MANAGEMENT DIVISION MANAGER		