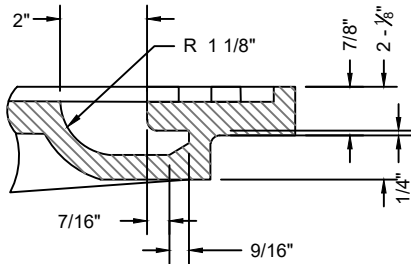
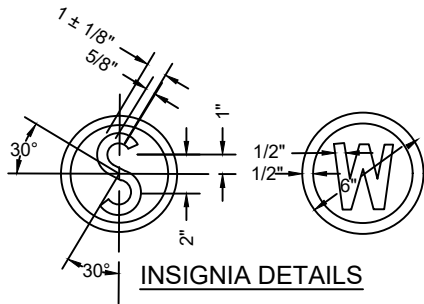


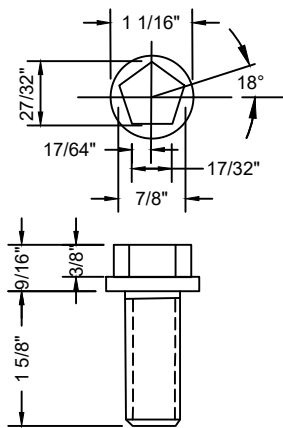
APPLICABLE STOCK NOS.
 5680-9026-0 5680-9029-4
 5680-9051-8 5680-9060-9



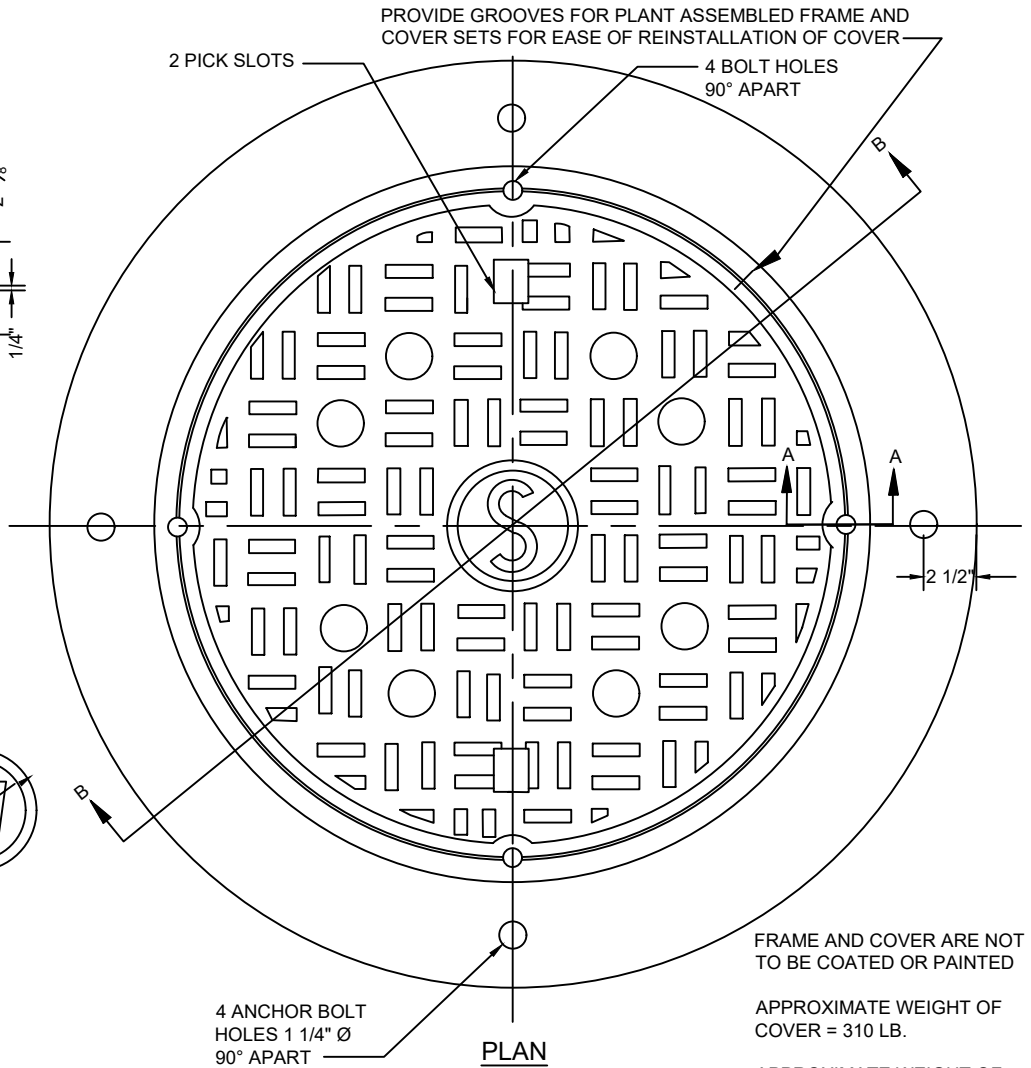
PICKHOLE DETAIL



INSIGNIA DETAILS



**STAINLESS STEEL
 LOCK BOLT
 AISI TYPE 304
 STAINLESS STEEL**

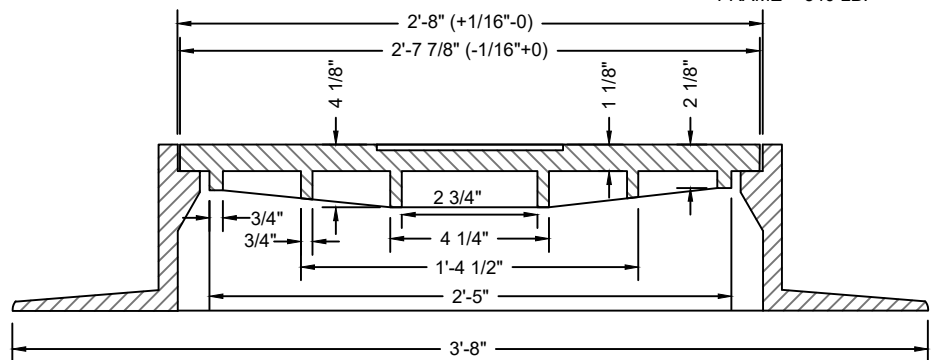


PLAN

FRAME AND COVER ARE NOT TO BE COATED OR PAINTED

APPROXIMATE WEIGHT OF COVER = 310 LB.

APPROXIMATE WEIGHT OF FRAME = 340 LB.



SECTION B-B

**SEE DETAIL P&M 10.1a
 FOR CONTINUATION**

**MATERIAL SPECIFICATION:
 GRAY IRON ASTM A48 CL35B
 CASTINGS SHALL CONFORM TO AND BE MANUFACTURED
 IN ACCORDANCE WITH THE REQUIREMENTS OF AASHTO
 STD M306, LATEST REVISION**

REFERENCE WSSC DWG NO. 721471Y, LATEST REVISION 1-29-81

**WASHINGTON
 SUBURBAN
 SANITARY
 COMMISSION**

REVISIONS: May 4, 2021 | 12:46 PM EDT

APPROVED: _____
 DocuSigned by:
Jaime Garcia
 B7DBE23469C84BD
 MATERIALS MANAGEMENT DIVISION MANAGER

PROCUREMENT AND MANUFACTURING DETAIL

**LOCKING TYPE-WATERTIGHT
 30" MANHOLE FRAME & COVER**

**P&M
 10.1b**