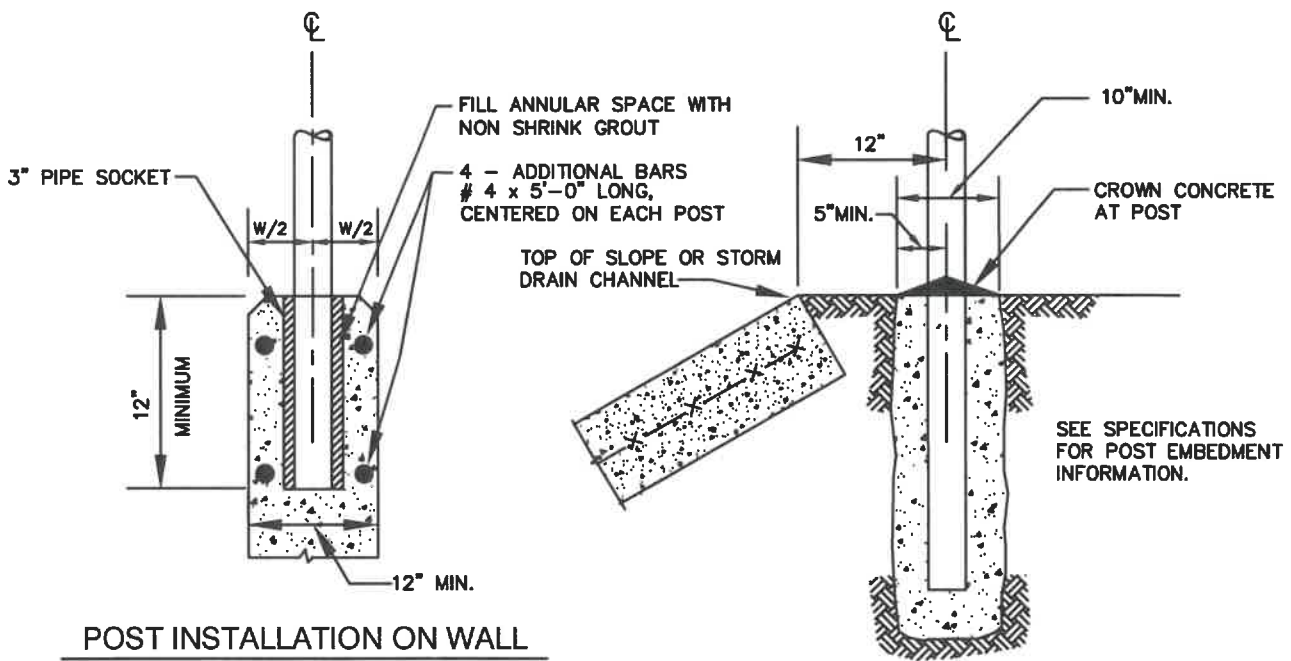


CHAIN LINK FENCE DETAIL



POST INSTALLATION ON WALL

POST INSTALLATION
ALONG CHANNEL

NOTE:

REFER TO DRAWINGS AND SPECIFICATIONS FOR GATE INFORMATION

WASHINGTON
SUBURBAN
SANITARY
COMMISSION

APPROVED: 6/17/21

Nick Hammer

Chief Engineer

STANDARD DETAIL

CHAIN LINK
FENCE DETAILS

M
19.0