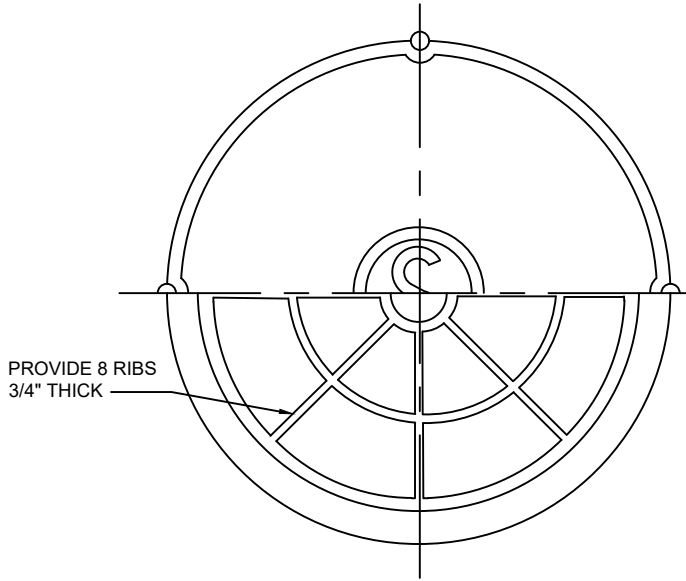
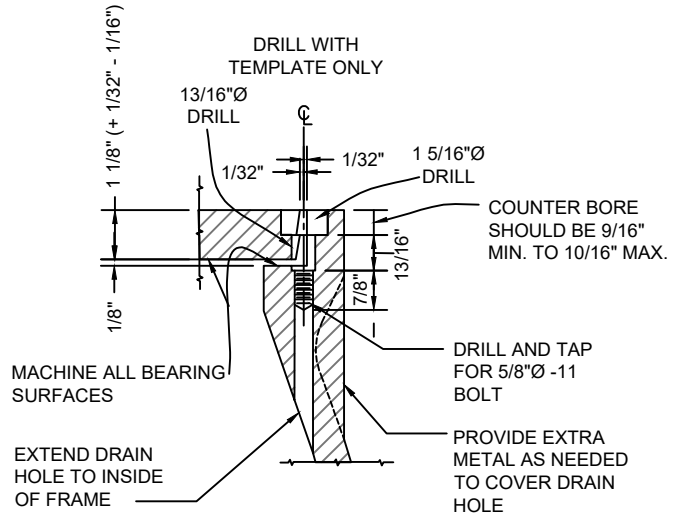


APPLICABLE STOCK NOS.

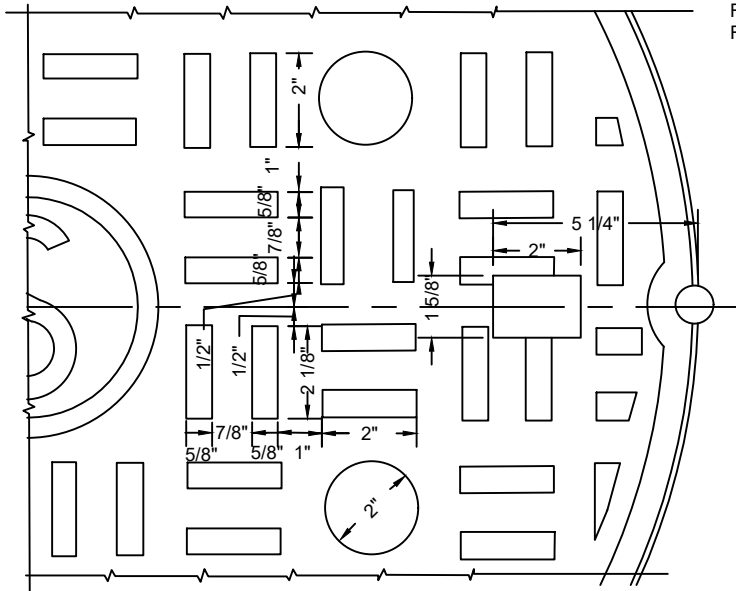
- 5680-9026-0
- 5680-9051-8
- 5680-9029-4
- 5680-9060-9



BOTTOM VIEW



SECTION A-A



SECTION OF RING

MATERIAL SPECIFICATION:

GRAY IRON ASTM A48 CL35B

CASTINGS SHALL CONFORM TO AND BE MANUFACTURED
IN ACCORDANCE WITH THE REQUIREMENTS OF AASHTO
STD M306, LATEST REVISION

REFERENCE WSSC DWG NO. 721471Y, LATEST REVISION 1-29-81

SEE DETAIL P&M 10.1b
FOR CONTINUATION

WASHINGTON
SUBURBAN
SANITARY
COMMISSION

REVISIONS:

APPROVED: May 4, 2021 | 12:46 PM EDT

DocuSigned by:
Jaime Garcia

B7DBE23469C84BD
MATERIALS MANAGEMENT DIVISION MANAGER

PROCUREMENT AND MANUFACTURING DETAIL

LOCKING TYPE-WATERTIGHT
30" MANHOLE FRAME & COVER

P&M
10.1a