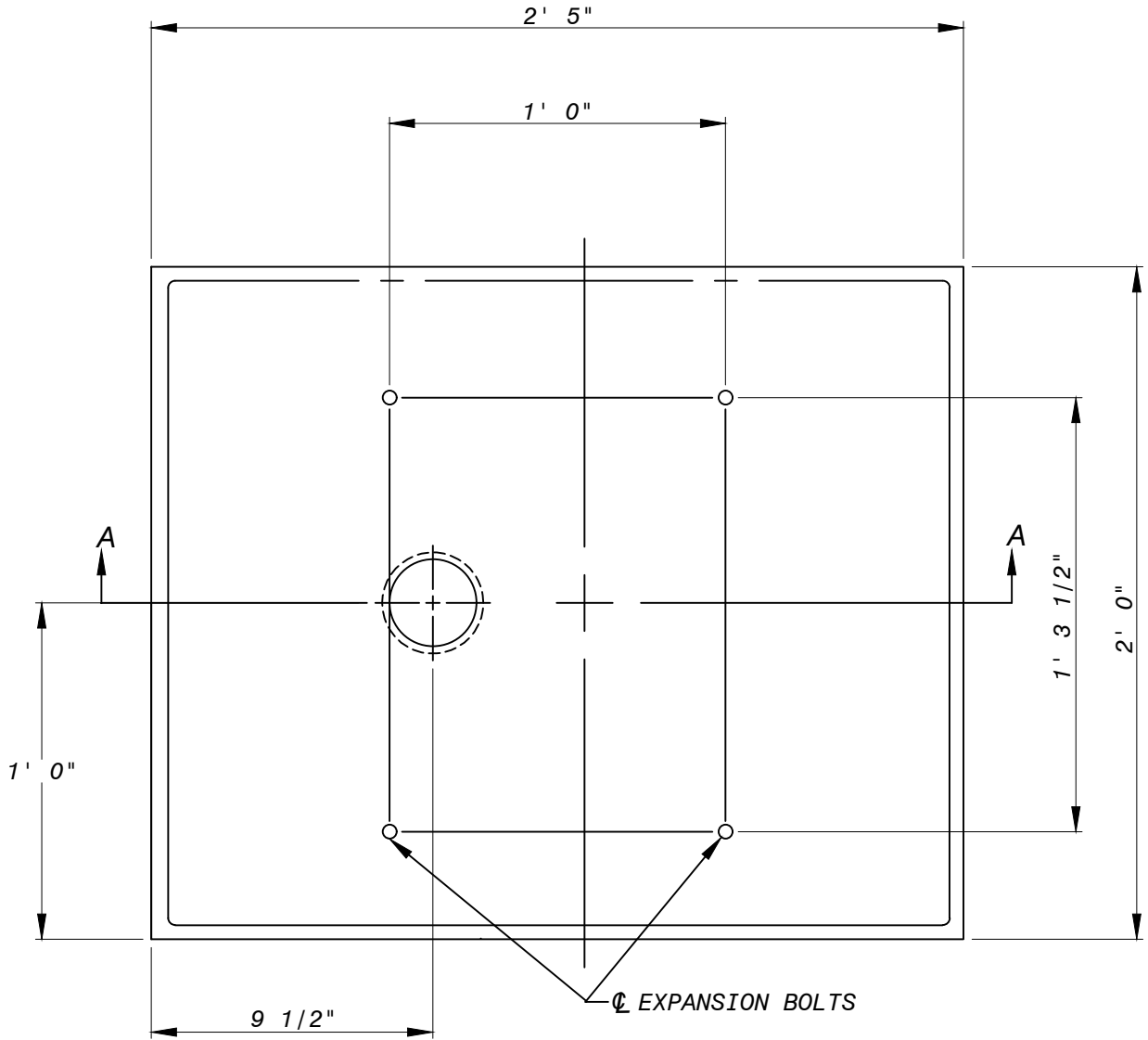
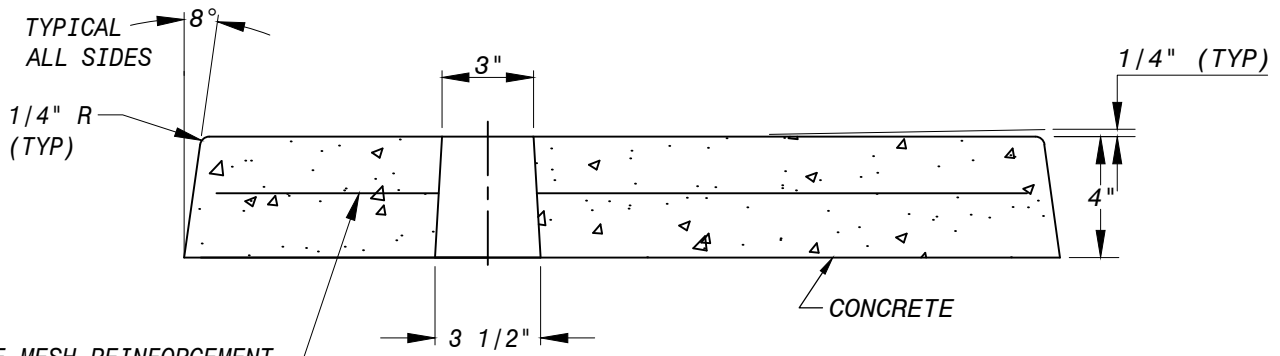


APPLICABLE STOCK NOS.  
5676-9100-1



TOP VIEW



SECTION A-A

WASHINGTON  
SUBURBAN  
SANITARY  
COMMISSION

REVISIONS:  
APPROVED: May 4, 2021 | 12:46 PM EDT  
DocuSigned by:  
*Jaime Garcia*  
MATERIALS MANAGER

PROCUREMENT AND MANUFACTURING DETAIL

AIR RELEASE PIPE VENT  
BOX BASE PAD

P&M  
8.0