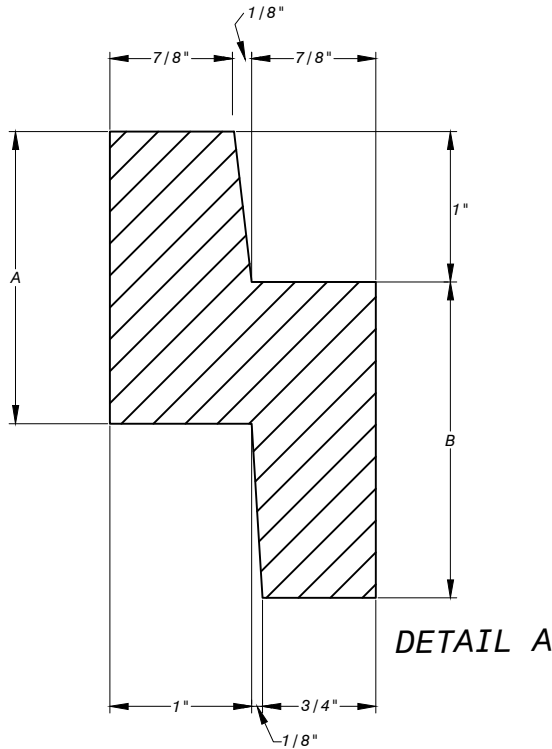


APPLICABLE STOCK NOS.

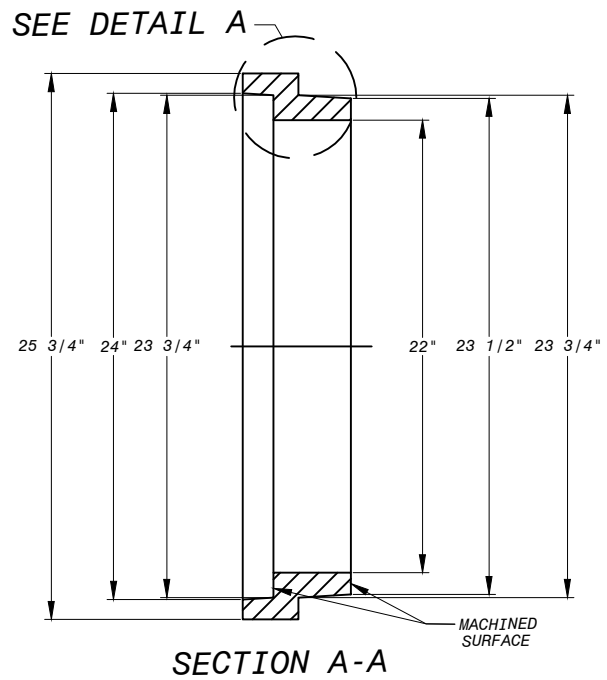
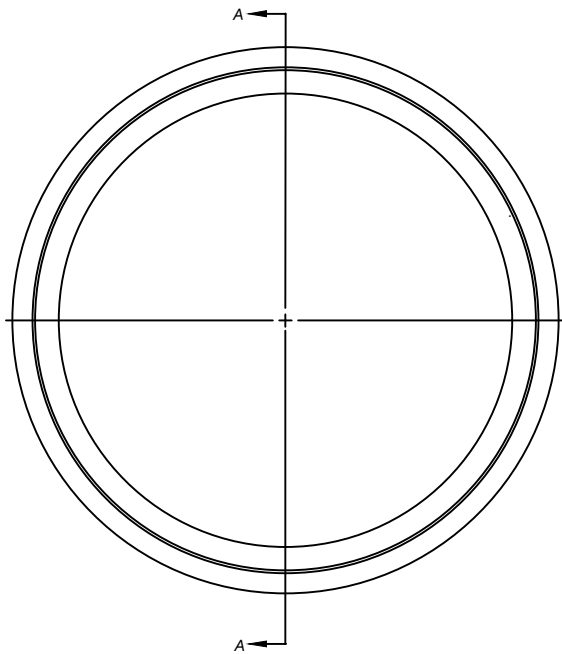
5680-9001-3, 1 1/2"
5680-9002-1, 2"



-SECTION TO BE GRAY IRON CASTING,
ASTM A-48 CLASS NO. 35B

-CASTING SHALL CONFORM TO AND
BE MANUFACTURED IN ACCORDANCE
WITH THE REQUIREMENTS OF AASHTO
STD M306, LATEST REVISION

NOMINAL RISE	A	B
1 1/2"	1 1/2"	3-1/8"
2"	2"	3-1/8"



ALL DIMENSION ARE IN INCHES
UNLESS OTHERWISE SPECIFIED.

TOLERANCES: ± 1/16"

WASHINGTON
SUBURBAN
SANITARY
COMMISSION

REVISIONS:
APPROVED: May 3, 2021 | 9:23 PM EDT

DocuSigned by:
Jaime Garcia

MATERIALS MANAGER

PROCUREMENT AND MANUFACTURING DETAIL

22-INCH NON-WATERTIGHT
MANHOLE ADJUSTING RING,
1 1/2" AND 2" HEIGHT

P&M
6.0