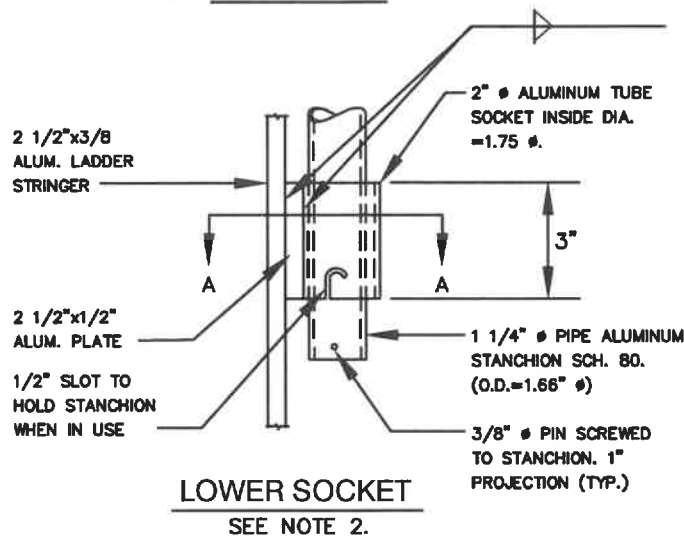
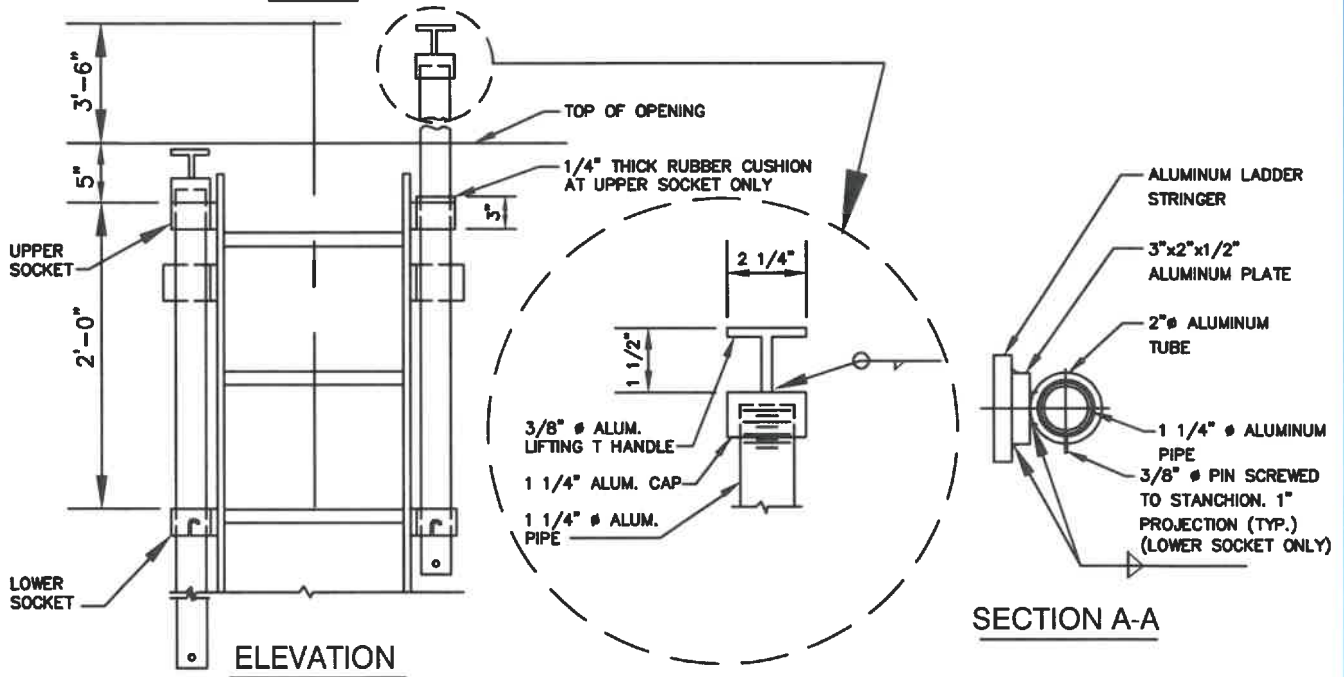
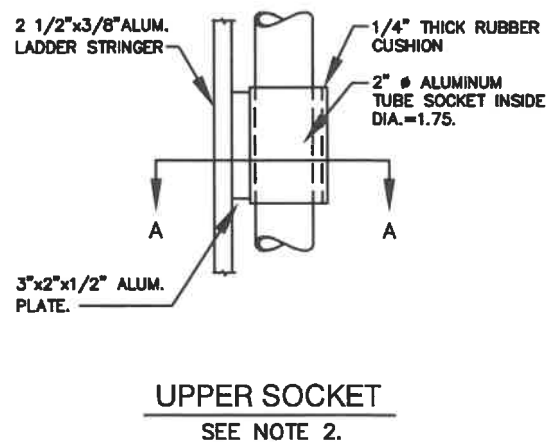


**NOTE:**

1. ALL ALUMINUM SHALL BE 6061-T6 ALLOY.
2. PREFABRICATED CASTING SOCKET MAY BE USED.
3. LOCATION OF TOP SOCKET MAY BE LOWERED IF LIFTING T OBSTRUCTS COVER OF ACCESS WHEN CLOSED.
4. SEE DETAIL M/16.0 FOR LADDER DETAIL.
5. "T" HANDLE SHALL BE ORIENTED PERPENDICULAR TO  $\phi$  OF RUNG WHEN FULLY EXTENDED AND LOCKED IN PLACE.
6. ALL WELDS SHALL BE MIN. 3/16" WIDE.



**LOWER SOCKET**  
SEE NOTE 2.



**UPPER SOCKET**  
SEE NOTE 2.

WASHINGTON  
SUBURBAN  
SANITARY  
COMMISSION

APPROVED: 6/17/21  
*Mike Hammer*  
Chief Engineer

STANDARD DETAIL  
**LADDER EXTENSION**

M  
16.1