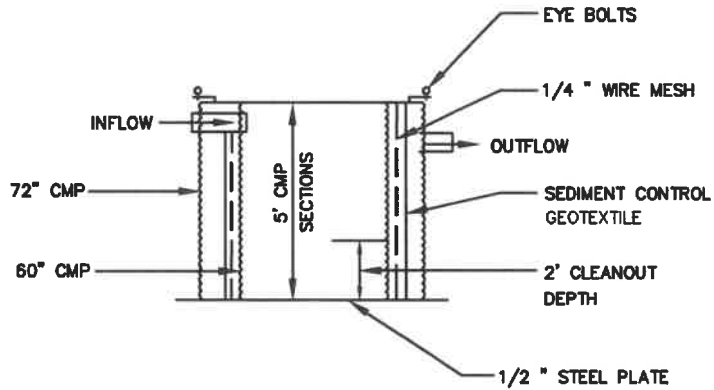
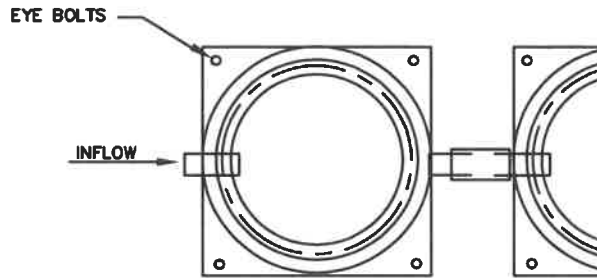


PERFORATE 60" CMP
WITH 1" HOLES AT
6" ON CENTER



ELEVATION



PLAN

WASHINGTON
SUBURBAN
SANITARY
COMMISSION

APPROVED: 7-26-21
Mike Hammer
Chief Engineer

STANDARD DETAIL
PORTABLE
SEDIMENT TANK

SC
15.0