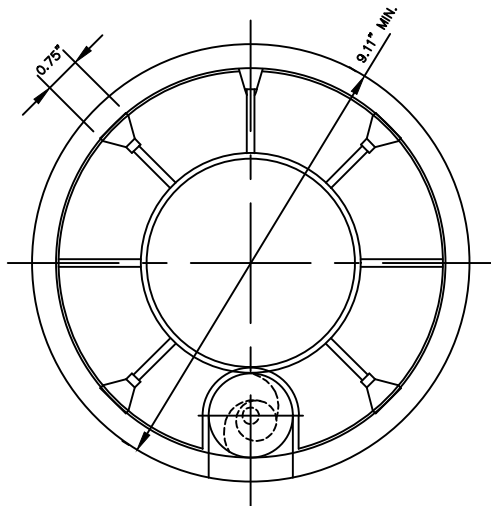


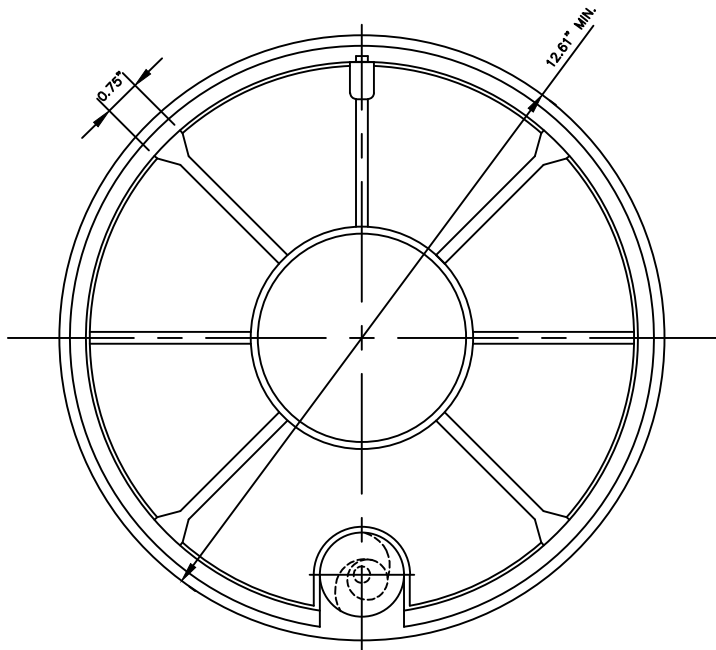
**TOP VIEW
(TYP SINGLE AND DOUBLE)**

SCALE: 1"=4.0"



BOTTOM VIEW DOUBLE COVER

SCALE: 1"=4.0"



BOTTOM VIEW DOUBLE COVER

SCALE: 1"=4.0"

WEIGHT

15" DOUBLE FRAME	12 3/4 LBS MIN
18" SINGLE FRAME	20 1/4 LBS MIN
18" DOUBLE FRAME	18 1/4 LBS MIN
21" DOUBLE FRAME	28 1/2 LBS MIN
SINGLE LID	4 3/4 LBS MIN
DOUBLE LID	10 3/4 LBS MIN

ALL GRAY IRON CASTINGS TO BE
ASTM A48CLASS 25 MIN.

APPLICABLE STOCK NOS.
SINGLE COVER 6680-9031-9
DOUBLE COVER 6680-9030-1

NOTES:

1. TOLERANCE OF $\pm 1/16"$ UNLESS NOTED OTHERWISE
2. SEE P&M/4.2 FOR FURTHER DETAILS
3. CASTING SHALL BE CLEANED BY AN APPROVED PROCESS AND COATED WITH AN APPROVED ASPHALTUM
4. LOCATIONS OF HOLES AND RECESSES SHOWN ON DETAILS
P&M/4.4-P&M/4.11.

WASHINGTON
SUBURBAN
SANITARY
COMMISSION

REVISIONS:
APPROVED: May 3, 2021 | 9:23 PM EDT

DocuSigned by:
Jaime Garcia
MATERIALS MANAGER

PROCUREMENT AND MANUFACTURING DETAIL

**SINGLE AND DOUBLE
METER COVERS**

**P&M
4.1**