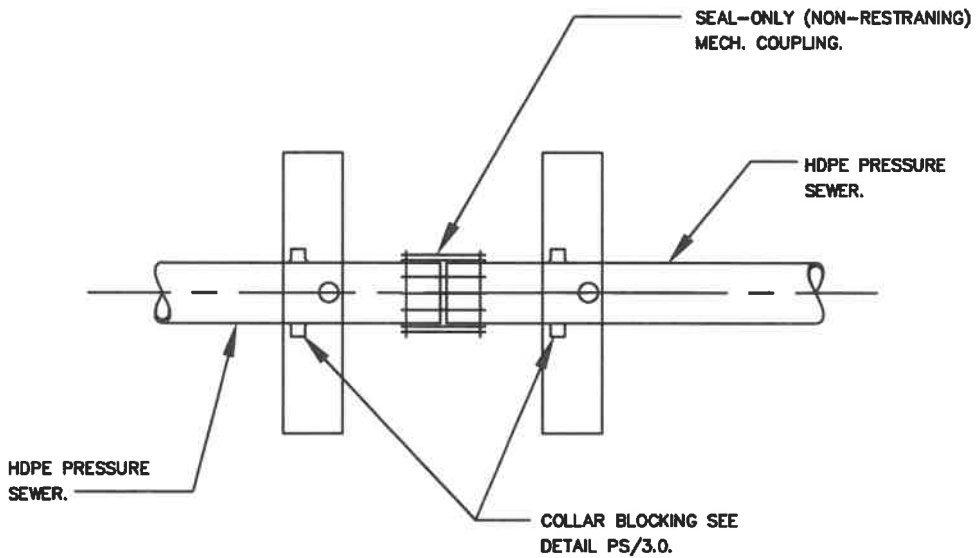


PLAN
HDPE x PVC CONNECTION



PLAN
HDPE x HDPE CONNECTION

WASHINGTON
SUBURBAN
SANITARY
COMMISSION

APPROVED: 7-26-21
Mike Harmon
Chief Engineer

STANDARD DETAIL
RESTRANING SEAL
ONLY MECHANICAL
COUPLINGS

PS
3.1