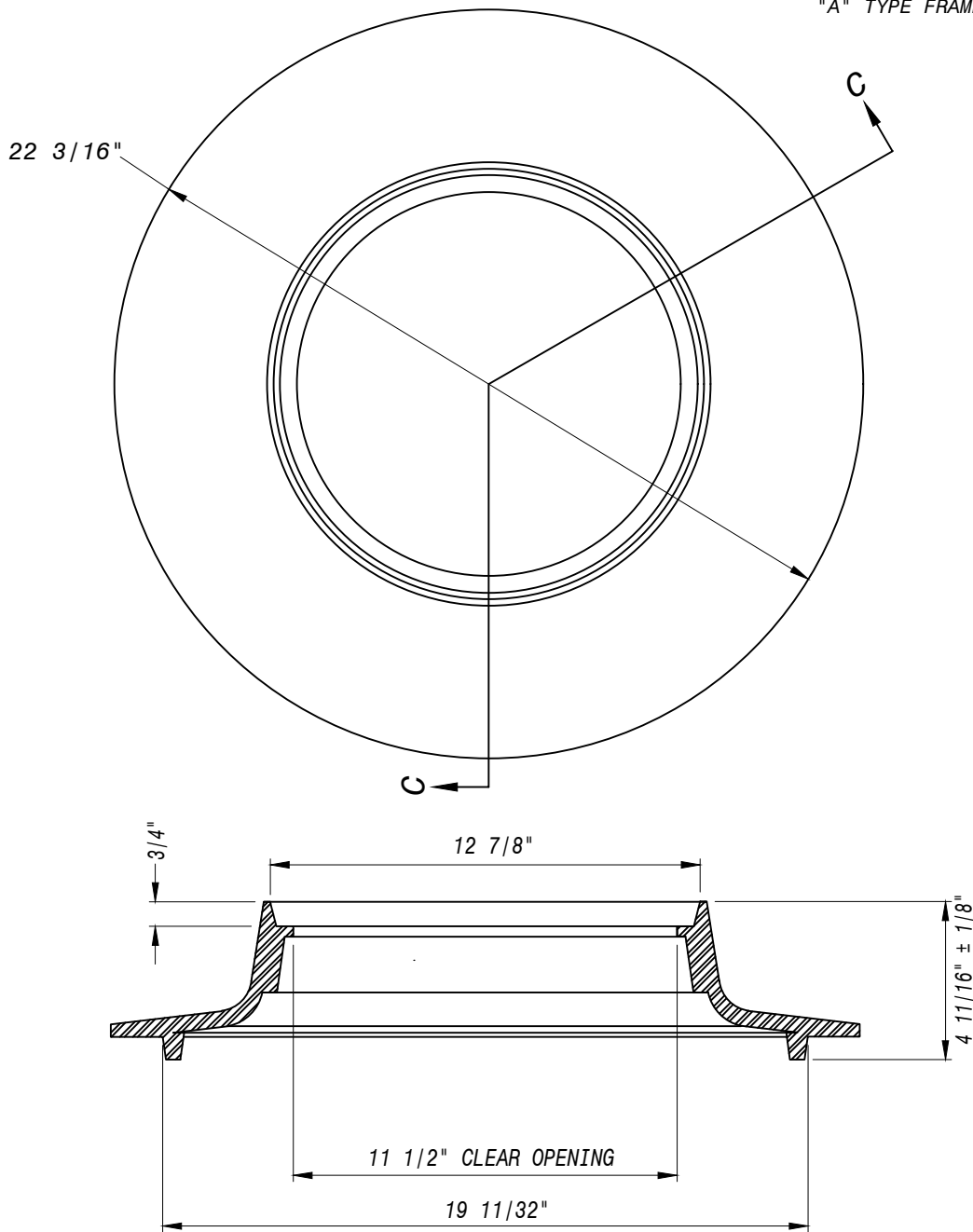


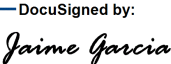
APPLICABLE STOCK NOS.
 "A" TYPE FRAME 6680-9043-4



SECTION C-C

NOTE:

1. ALL GRAY IRON CASTINGS TO BE ASTM A-48 CLASS 25 MIN.
2. SEE P&M/4.1 FOR WEIGHTS
3. TOLERANCE OF +/- 1/16" UNLESS NOTED OTHERWISE
4. CASTING SHALL BE CLEANED BY AN APPROVED PROCESS AND COATED WITH AN APPROVED SOLVENT-BASED ASPHALT PAINT.

WASHINGTON SUBURBAN SANITARY COMMISSION	REVISIONS: APPROVED: <u>May 3, 2021 9:23 PM EDT</u> DocuSigned by:  B7DBE23469C84BD MATERIALS MANAGEMENT DIVISION MANAGER	PROCUREMENT AND MANUFACTURING DETAIL TYPE "A" METER FRAMES FOR METER HOUSING	P&M 4.0a
--	---	--	-------------