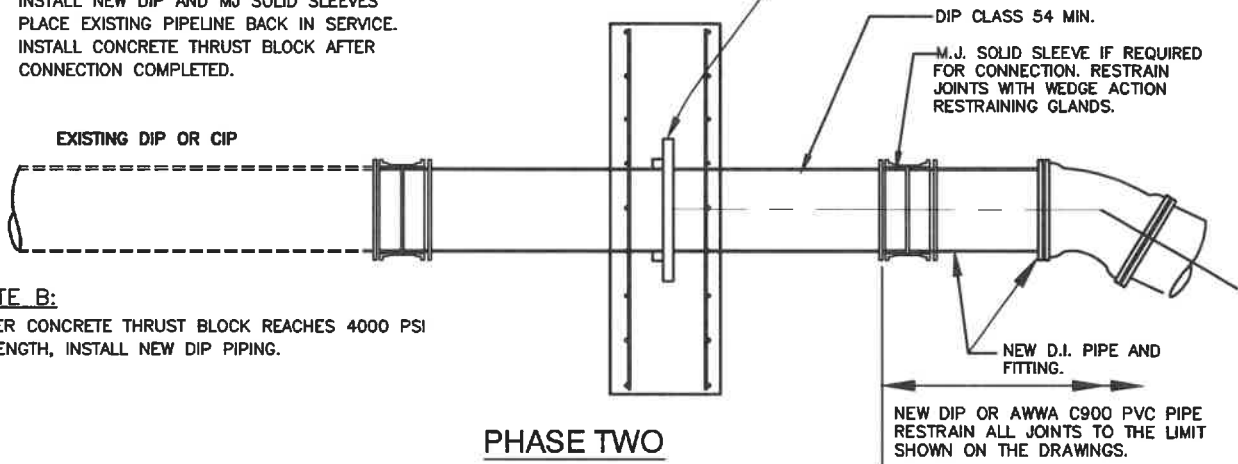


NOTE A:

1. REMOVE MINIMUM TWO SECTIONS OF EXISTING DIP OR CIP.
2. INSTALL NEW DIP AND MJ SOLID SLEEVES PLACE EXISTING PIPELINE BACK IN SERVICE.
3. INSTALL CONCRETE THRUST BLOCK AFTER CONNECTION COMPLETED.

PHASE ONE



NOTE B:

AFTER CONCRETE THRUST BLOCK REACHES 4000 PSI STRENGTH, INSTALL NEW DIP PIPING.

PHASE TWO

NOTE:

1. SEE DETAIL B/3.3 FOR ADDITIONAL NOTES AND DETAILS..

WASHINGTON
SUBURBAN
SANITARY
COMMISSION

APPROVED: 7-26-21
M. J. Harner
Chief Engineer

STANDARD DETAIL
QUICK HARNESSSED CONNECTION
TO THRUST BLOCKING
FOR EXISTING DUCTILE IRON
OR CAST IRON PIPE

B
3.1