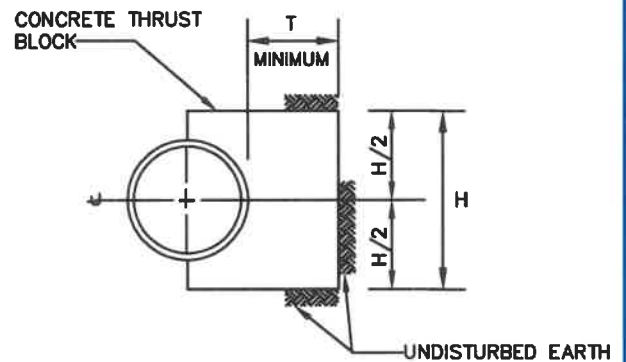
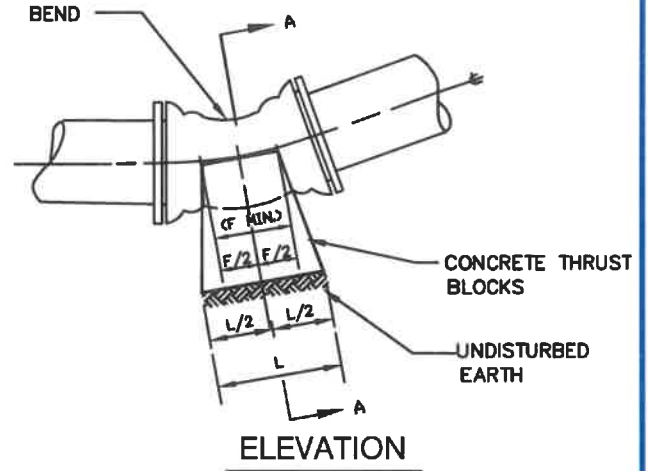


BEND TYPE	PIPE DIAMETER	THRUST BLOCK DIMENSIONS			
		L	H	F	T
1/32	4"	1'-0"	1'-0"	0'-5"	1'-0"
	6"	1'-3"	1'-0"	0'-5"	1'-0"
	8"	1'-6"	1'-3"	0'-5"	1'-0"
	10"	1'-9"	1'-9"	0'-6"	1'-0"
	12"	2'-3"	2'-0"	0'-6"	1'-0"
	14"	3'-0"	2'-0"	0'-6"	1'-0"
1/16	4"	1'-6"	1'-6"	0'-5"	1'-0"
	6"	1'-9"	1'-6"	0'-5"	1'-0"
	8"	2'-0"	2'-0"	0'-5"	1'-0"
	10"	3'-0"	2'-0"	0'-10"	1'-0"
	12"	4'-0"	2'-0"	0'-10"	1'-6"
	14"	4'-9"	2'-3"	1'-0"	2'-0"
1/8	4"	1'-6"	1'-6"	0'-6"	1'-0"
	6"	3'-0"	1'-6"	0'-6"	1'-0"
	8"	4'-0"	2'-0"	0'-6"	1'-0"
	10"	5'-0"	2'-6"	0'-10"	2'-6"
	12"	6'-0"	3'-0"	1'-0"	2'-6"
	14"	7'-0"	3'-6"	1'-0"	3'-0"
1/4	4"	3'-0"	1'-6"	0'-6"	1'-0"
	6"	4'-6"	2'-0"	0'-6"	2'-0"
	8"	6'-0"	2'-6"	0'-6"	2'-6"
	10"	7'-0"	3'-6"	0'-10"	3'-0"
	12"	8'-0"	4'-0"	1'-0"	4'-0"
	14"	9'-0"	5'-0"	1'-0"	4'-0"
16"	11'-6"	5'-0"	1'-0"	5'-6"	



SECTION A-A

BLOCKING DESIGN REQUIREMENT NOTES

1. CONCRETE STRENGTH $f'_c=3000$ psi AT 28 DAYS.
2. STANDARD THRUST BLOCKING IS BASED ON THE FOLLOWING ASSUMPTIONS AND LIMITATIONS, IF THESE CONDITIONS ARE NOT MET, SPECIAL DESIGN IS REQUIRED:
 - a) TEST PRESSURE (WORKING + SURGE) IS 250 psi OR LOWER.
 - b) DEPTH FROM FINISHED GRADE TO TOP OF PIPE ASSUMED TO EQUAL 4'-0" OR DEEPER.
 - c) ELEVATION OF GROUNDWATER TABLE ASSUMED TO BE BELOW BOTTOM OF THE BLOCK.
3. IF SOIL CONDITIONS ARE SOFT OR ORGANIC, A SPECIAL DESIGN IS REQUIRED AND SHOULD BE SUBMITTED TO TSG FOR REVIEW.
4. FOR LARGER PIPE DIAMETERS, SEE DRAWINGS FOR SPECIAL DETAILS.
5. ALL DIMENSIONS ARE MINIMUMS EXCEPT WHERE LARGER DIMENSION WILL INTERFERE WITH THE PIPE JOINTS OR NOT FACILITATE BOLT REMOVAL ON MECHANICAL JOINT FITTINGS. IN THESE CASES SUBMIT REVISIONS TO TSG.

WASHINGTON
SUBURBAN
SANITARY
COMMISSION

APPROVED: 7-26-21
M. H. [Signature]
Chief Engineer

STANDARD DETAIL
THRUST BLOCKS
FOR
HORIZONTAL BENDS

B
1.0